

Optical DVI Dual link 2Ch Extender



DQSP

OPHIT's DQSP over two fiber solution lets you extend dual link digital signal up to 300meters (1000 feet). Maximum supporting resolution is WQUXGA(3840x2400).

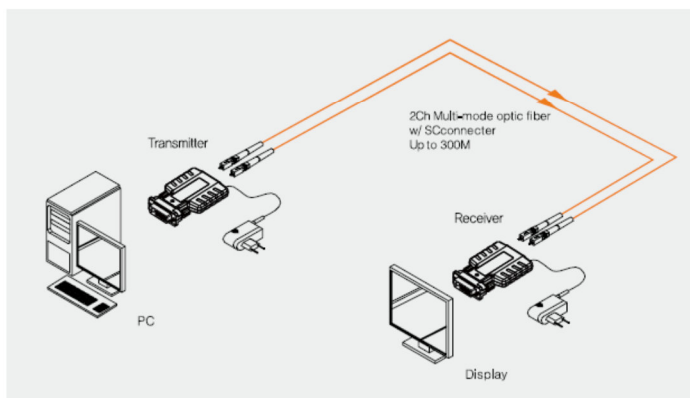
Feature

- High speed and long distance transmission by 2channel SC type multi-mode optical fiber
- TMDS video signal and EDID data are transmitted over optical fiber
- Extends up to 300meters
- It can support single link and dual link both
- DVI 1.0 compliant
- HDMI 1.3 and HDCP compliant
- EMC & Safty : CE, FCC

Specification

	Transmitter	Receiver
Connector	DVI-D (Male) SC connector (Female)	
Optical fiber	2ch / Multi-mode	
Video Bandwidth (Pixel clock)	Single link(Max 225Mhz) / Dual link	
Supporting Resolution & Distance	- WQUXGA(3840x2400)@60Hz / 300M(1,000ft)	
Power Consumption	Dual link : 1.6W(Max)	1.65W(Max)
Power Supply	100~240V DC 5V,2A	100~240V DC 5V,2A
Dimension	75W x 50D x 15H(mm)	
Environment	- Operating Temperature : 0°C ~ 50°C - Storage Temperature : -20°C ~ 70°C	

Application



Optical

- Optical Source : 850nm VCSEL
- O/E Converter : PIN Photo Diode
- Optical fiber mode : Multi-mode optic fiber with SC type connector

Package

- Transmitter, Receiver
- 2 Power Adapters
- User's manual

Ordering Information

DQSP-Axxx

- Model name
- SC type optical cable length
 - 050 = 50meters
 - 100 = 100meters
 - 300 = 300meters
- Type
 - A : Full set including of Tx,Rx 2 power adapters and optical cable
 - M : Tx,Rx and 2 power adapter only (excluding of optical cable)

