

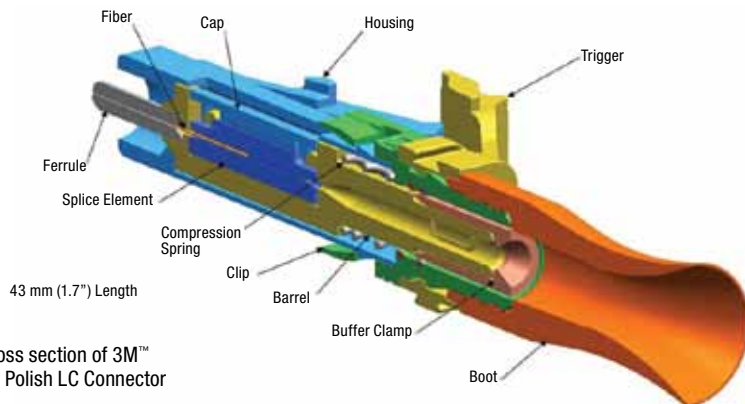
# 3M™ No Polish LC Connector

## Singlemode and Multimode LC

3M™ No Polish LC Connector provides fast on-site installation of 250 µm and 900 µm terminations utilizing a one-piece, pre-assembled design.

The LC compatible connector consists of a factory-polished fiber/ferrule assembly and a mechanical splice that is installed with a simple and reliable field tool, which is included in every box of 60 connectors. The streamlined boot is attached to the connector body, minimizing the chance of losing or forgetting to install it during the termination process. After the installation, the boot keeps the fiber from kinking, even during side pull.

On the 3M™ No Polish LC Connector Assembly Tool 8835-AT, the connector receptacle is hinged allowing for easy insertion and removal of the LC NPC. The connector may be inserted with or without the dust cap in place.



Cross section of 3M™ No Polish LC Connector

The LC NPC is tested for FTTP and Premises applications for indoor and outdoor locations and is available in SM, 62.5 µm, 50 µm and also 50 µm LOMMF (laser optimized multimode fiber) for 10 Gb applications. The No Polish Connector meets EIA/TIA 568-B.3 and IEC requirements and is RoHS compliant.

Features	Benefits
Field Installation	Always the right cable length
One-piece, pre-assembled design	No small, loose parts
Duplexing capability built into connector design	Separate duplex clip unnecessary
Factory-polished fiber stub	No on-site polish or adhesives required
900 µm buffer strain relief	Excellent pull out strength
Minimum insertion loss	One of the industry leaders in mechanical and optical performance
Simple assembly tool	Fast and easy installation; connector can be inserted with or without dust cap



3M™ No Polish LC Connector Family



Close up of 3M™ No Polish LC Connector Assembly Tool 250/900 8835-AT



The 3M™ No Polish Connector Kit with Cleaver 8865-C includes all tools necessary for installation.



## 3M™ No Polish LC Connector Specifications

	6830-50	Multimode 6830-50/LOMMF	6830-62.5	Singlemode 8830
<b>Insertion loss typical @1300 nm (dB)</b>	0.1	0.1	0.1	0.3
<b>Reflection typical at room temp 23°C (73°F)</b>	<-25	<-25	<-25	<-40
<b>Connector durability (dB)</b>	<0.2 change after 500 matings	<0.2 change after 500 matings	<0.2 change after 500 matings	<0.2 change after 200 matings
<b>Operating temperature</b>	-40°C to 75°C (-40°F to 167°F)	-40°C to 75°C (-40°F to 167°F)	-40°C to 75°C (-40°F to 167°F)	-40°C to 75°C (-40°F to 167°F)
<b>Storage temperature</b>	-40°C to 85°C (-40°F to 185°F)	-40°C to 85°C (-40°F to 185°F)	-40°C to 85°C (-40°F to 185°F)	-40°C to 85°C (-40°F to 185°F)
<b>Cable tension</b>				
Straight pull	< 0.1 dB increase at 4.9 N (1.1 lbf) for 900 µm	< 0.1 dB increase at 4.9 N (1.1 lbf) for 900 µm	< 0.1 dB increase at 4.9 N (1.1 lbf) for 900 µm	< 0.5 dB increase at 4.9N (1.1 lbf) for 250 µm* < 0.5 dB increase at 6.9N (1.54 lbf) for 900 µm*
Side pull	< 0.1 dB increase at 4.9 N (1.1 lbf). for 900 µm	< 0.1 dB increase at 4.9 N (1.1 lbf). for 900 µm	< 0.1 dB increase at 4.9 N (1.1 lbf). for 900 µm	< 0.1 dB increase at 4.9 N (1.1 lbf) for 900 µm*
<b>Material</b>				
Connector ferrule	Zirconia ceramic	Zirconia ceramic	Zirconia ceramic	Zirconia ceramic
Connector housing & barrel	Engineered resin	Engineered resin	Engineered resin	Engineered resin
Boot	Thermoplastic elastomer	Thermoplastic elastomer	Thermoplastic elastomer	Thermoplastic elastomer
<b>Flame retardancy</b>	UL-94 V-0	UL-94 V-0	UL-94 V-0	UL-94 V-0
<b>Connector identification</b>				
Housing	Black	Black	Black	Black
Trigger	Black	Aqua	Beige	Blue
Boot	White	White	White	White
<b>Field termination kit (no power needed)</b>	8865-C	8865-C	8865-C	8865-C

The LC MM NPC meets EIA/TIA 568-B.3 and IEC requirements.

\*Connectors tested underload.

## Ordering Information

Product Number	Product Description	Packaging	3M ID
6830-50	No Polish LC Connector MM 50 µm 250/900 µm w/tool (black trigger)	60/package	80-6113-2773-7
6830-50/LOMMF	No Polish LC Connector MM 50 µm LOMMF 250/900 µm w/tool (aqua trigger)	60/package	80-6113-2774-5
6830-62.5	No Polish LC Connector MM 62.5 µm 250/900 µm w/tool (beige trigger)	60/package	80-6113-2775-2
8830	No Polish LC Connector SM 250/900 µm w/tool (blue trigger)	60/package	80-6113-2776-0
8835-AT	No Polish LC Connector Assembly Tool 250/900 µm	1/package	80-6113-2797-6
8865-C	No Polish Connector Preparation Kit with Flat Cleaver	1/package	80-6113-2379-3

3M is a trademark of 3M Company.

## Important Notice

All statements, technical information, and recommendations related to 3M's products are based on information believed to be reliable, but the accuracy or completeness is not guaranteed. Before using this product, you must evaluate it and determine if it is suitable for your intended application. You assume all risks and liability associated with such use. Any statements related to the product which are not contained in 3M's current publications, or any contrary statements contained on your purchase order shall have no force or effect unless expressly agreed upon, in writing, by an authorized officer of 3M.

## Warranty; Limited Remedy; Limited Liability.

This product will be free from defects in material and manufacture for a period of 12 months from the time of purchase. **3M MAKES NO OTHER WARRANTIES INCLUDING, BUT NOT LIMITED TO, ANY IMPLIED WARRANTY OF MERCHANTABILITY OR FITNESS FOR A PARTICULAR PURPOSE.** If this product is defective within the warranty period stated above, your exclusive remedy shall be, at 3M's option, to replace or repair the 3M product or refund the purchase price of the 3M product. **Except where prohibited by law, 3M will not be liable for any loss or damage arising from this 3M product, whether indirect, special, incidental or consequential regardless of the legal theory asserted.**



## Communications Markets Division 3M Telecommunications

6801 River Place Blvd.  
Austin, TX 78726-9000  
800/426 8688  
Fax 800/626 0329  
www.3MTelecommunications

Please recycle. Printed in USA.  
© 3M 2009. All rights reserved.  
80-6113-2857-8

"RoHS Compliant 2002/95/EC" means that the product or part ("Product") does not contain any of the substances in excess of the maximum concentration values in EU Directive 2002/95/EC, as amended by Commission Decision 2005/618/EC, unless the substance is in an application that is exempt under EU RoHS. This information represents 3M's knowledge and belief, which may be based in whole or in part on information provided by third party suppliers to 3M.